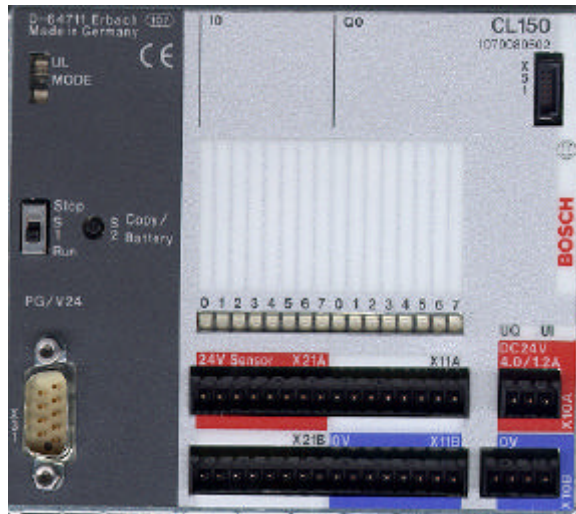


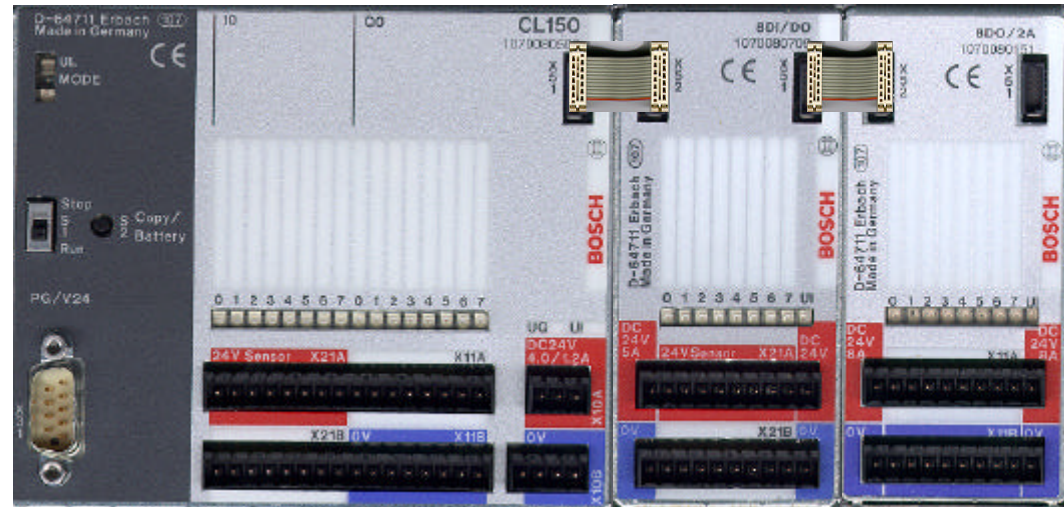
CL150 - PLC small and powerful ... the solution for your application



Compact, cost-effective

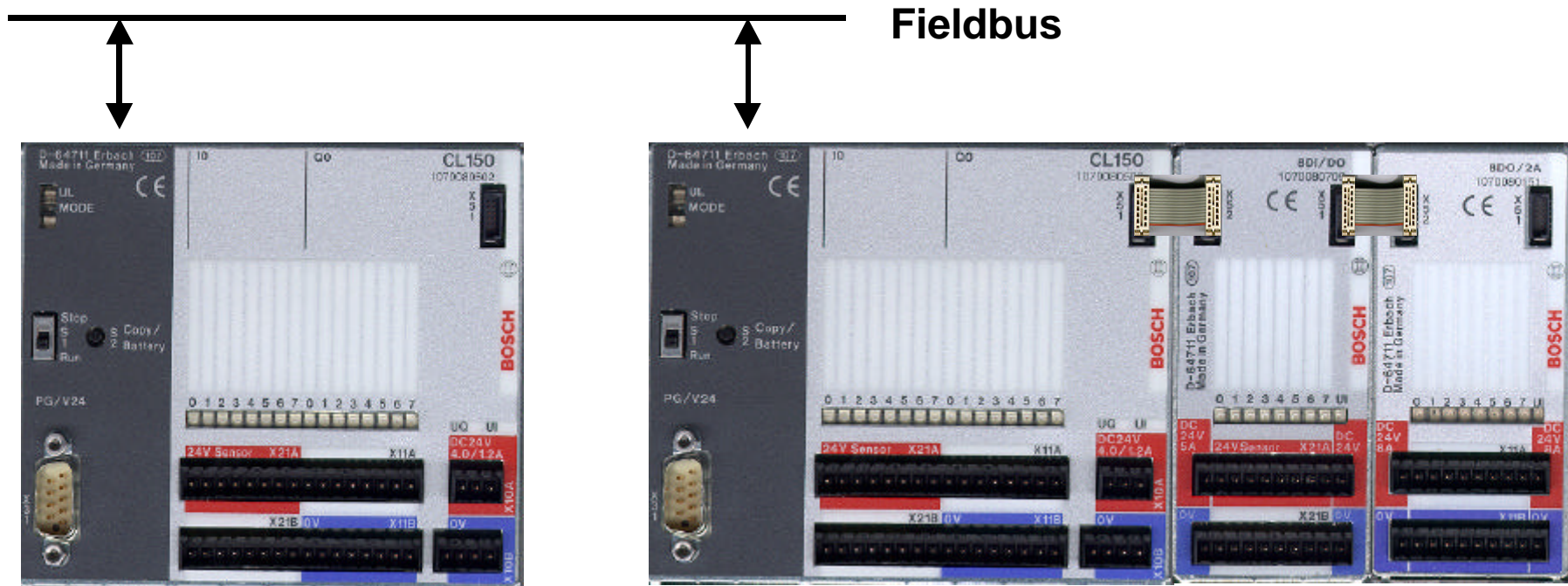


modular expandable with
Modules from the B~IO range



© Alle Rechte bei Robert Bosch GmbH, auch für den Fall von Schutzrechtsanmeldungen. Jede Verfügungsbefugnis, wie Kopier- und Weitergaberecht, bei uns.

CL150 - PLC small and powerful ... the intelligent B~IO Input/Output station



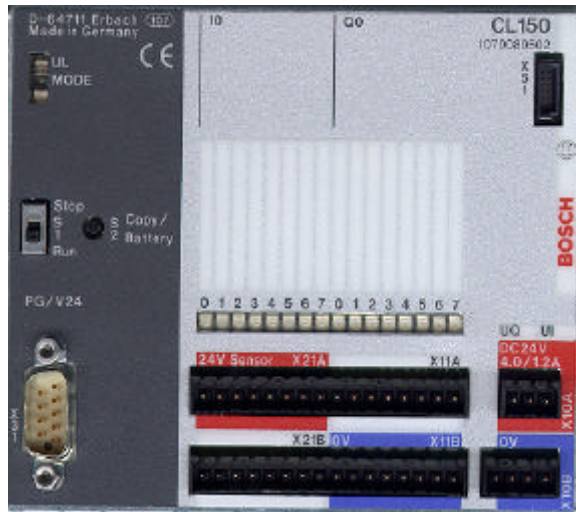
example.:

- remote data controlling
- remote pulse counter

© Alle Rechte bei Robert Bosch GmbH, auch für den Fall von Schutzrechtsanmeldungen. Jede Verfügungsbefugnis, wie Kopier- und Weitergaberecht, bei uns.

CL150 - PLC small and powerful

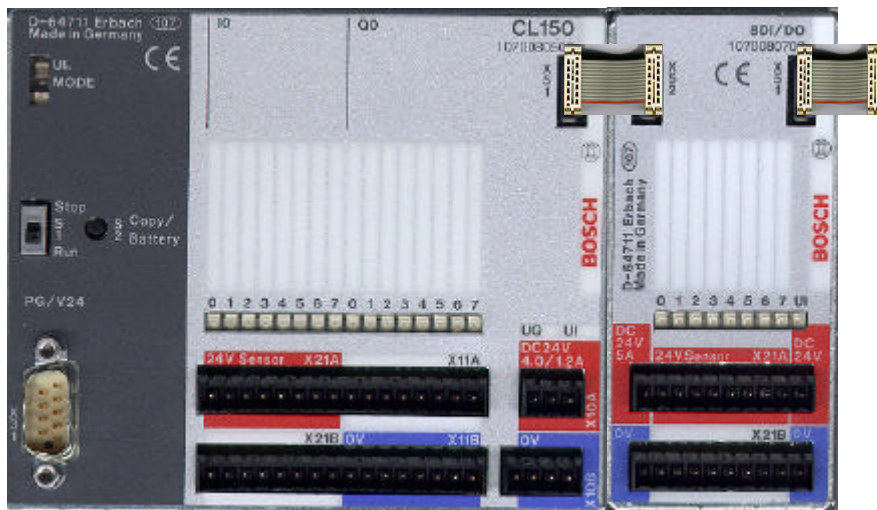
... stand alone ...



- **compact**
 - small size
123 mm x 105 mm x 38mm (B x H x T)
- **variable termination system**
 - screw
 - top-screw terminals
 - spring-force terminals
- **fast**
 - cycle-time for 1K instructions 2,6 ms
- **compatible programming**
 - WinSPS programming compatible to CL200

CL150 - PLC small and powerful

... stand alone ... expandable



- **modular expandable**
 - with B~IO Input / Output modules
- **quickly adapt to the actual I/O requirements**
 - CL150 different types
 - expand with B~IO modules (max. 16 modules)
 - digital I/O modules
 - analogue I/O modules
 - relay output module
 -

CL150 - PLC small and powerful

technical Data 1



Specifications	CL150	CL150 A	CL150-DP	CL151	CL151 A	CL151 DP
System clock	-	yes	yes	yes	yes	yes
2 nd serial interface BUEP19E – PST (V24/20mA passive)	-	-	-	yes	yes	yes
Fieldbus connection (Profibus-DP Slave)	-	-	yes	-	-	yes
Onboard-analogue-Inputs (0-10 V)	-	2	-	-	2	-
Onboard-analogue-Output (+ / -10 V, 0-10 V, 0-20 mA)	-	1	-	-	1	-
Onboard-Counter (connected via Input I0.0-I0.3)	2 integrated Counters, each 32 Bit , max. 10kHz					
<i>alternative</i> Interrupt inputs (connected via Input I0.0-I0.2)	3 Interrupt inputs for alarm handling					
Program memory	64 Kbyte RAM and 64Kbyte flash EPROM					

© Alle Rechte bei Robert Bosch GmbH, auch für den Fall von Schutzrechtsanmeldungen. Jede Verfügungsbefugnis, wie Kopier- und Weitergaberecht, bei uns.

CL150 - PLC small and powerful

technical Data 2



Specifications	CL150	CL150 A	CL150- DP	CL151	CL151 A	CL151 DP
Inputs	384Bit (48 Byte)					
- Total (onboard + B~ IO modules)	384Bit (48 Byte)					
- Onboard	8 Bit	16 Bit	8 Bit	16 Bit	16 Bit	8 Bit
Outputs	256Bit (32 Byte)					
- Total (onboard + B~ IO modules)	256Bit (32 Byte)					
- Onboard	8 Bit	8 Bit	8 Bit	8 Bit	8 Bit	8 Bit
Expansion:	max. 16 B~ IO-modular Input- / output modules max. 0.5 A (internal for I/O-Modules)					
Register	4 (16-Bit-Register, A,B,C,D)					
Organisation module	10					
Program modules	128					
Data modules	128					
Datafield	8 Kbyte					
Marker	1216 (152Byte)					

© Alle Rechte bei Robert Bosch GmbH, auch für den Fall von Schutzrechtsanmeldungen. Jede Verfügungsbefugnis, wie Kopier- und Weitergaberecht, bei uns.

CL150 - PLC small and powerful

technical Data 3



Specifications	CL150	CL150A	CL150-DP	CL151	CL151A	CL151DP
Timer	128					
Hardware timer (Timer 1ms)	1					
Counter	64					
System area	256 Byte (Flashing marker, etc.)					
Command processing time:						
Bit command:	0.6 μ s					
Word command:	0.6-28 μ s					
Module command:	46 μ s					
I/O-Image	1.9 ms					
Cycle time for 1 k commands	2.6 ms					
Interrupt response time	< 1.1 ms					
Voltage supply	24V=					
Dimensions	123 x 105 x 38	184 x 105 x 38				
further variants	CL150-CAN, CL151CAN, CL150-IBS, CL151IBS, CL150-DEV, CL151DEV,					

CL150 - PLC small and powerful system characteristics B~IO



- **easy to expand**
- **easy adaption to the real I/O requirements**
- **clear-text labelling and status-LED for every I/O point**
- **Interfacing of the peripheral equipment via 2 line connections (opt. 3 or 4 -line connections via plug-in terminal block)**
- **Variable termination system via screw, top-screw or spring-force.**
- **Rugged metal housing, ressistant to electrical interference and with optimal heat dissipation**
- **easy mounting on standard top-hat rails**

Applications



- Automation of small plants or machinery and equipment
- Communication with master-PLC's by fieldbus
- Replacement of Relais/Timer control systems
- PLC for training

Additional Features



- sequence function chart
- Büp03E on 2nd. port
- restart after voltage dip
- long module-connector

outlook

- central programming by Ethernet or DP-V1